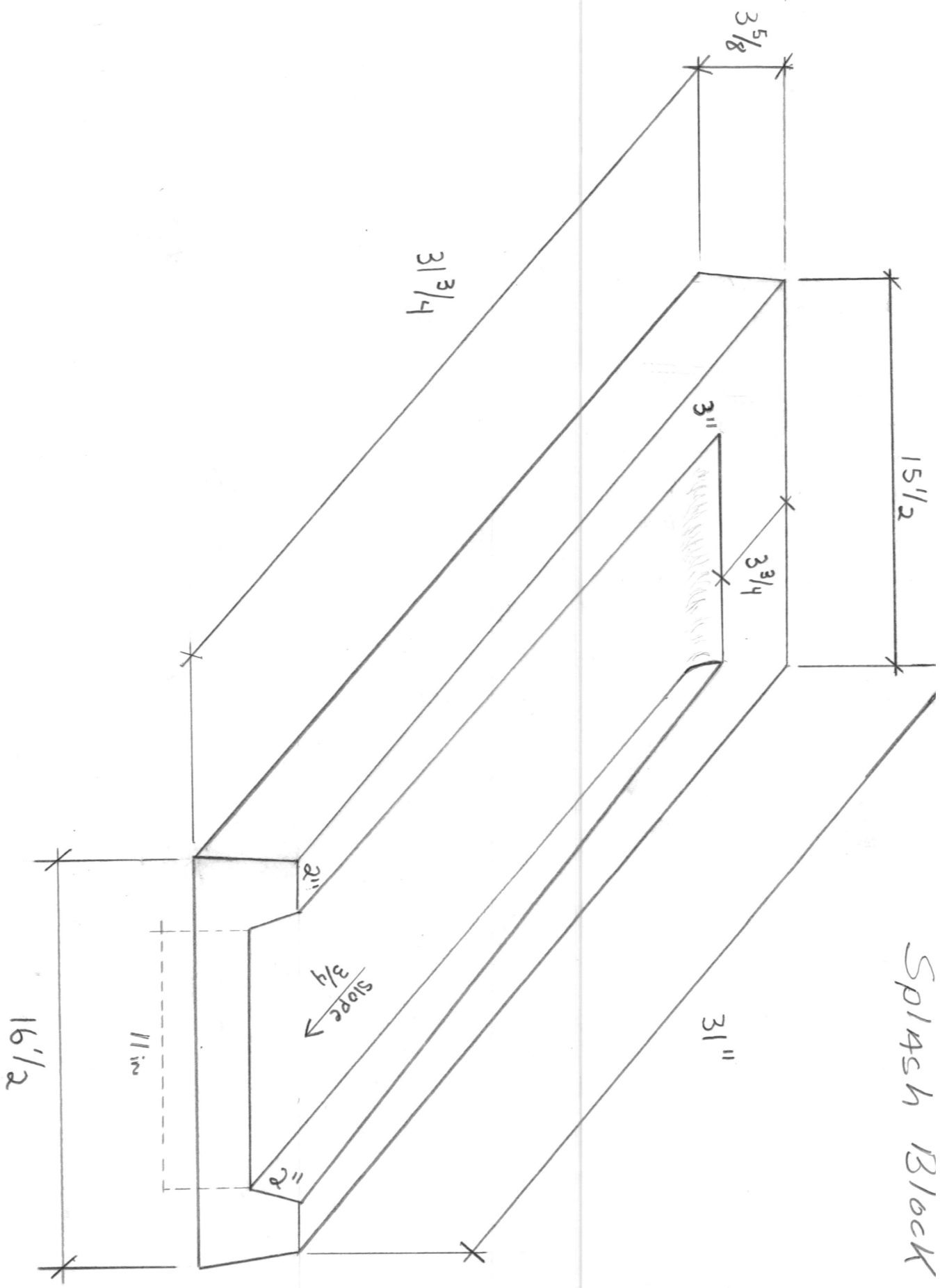


Splash Block



$3\frac{3}{4}$

Pre Cast Concrete STEP Co

7-70-M6